



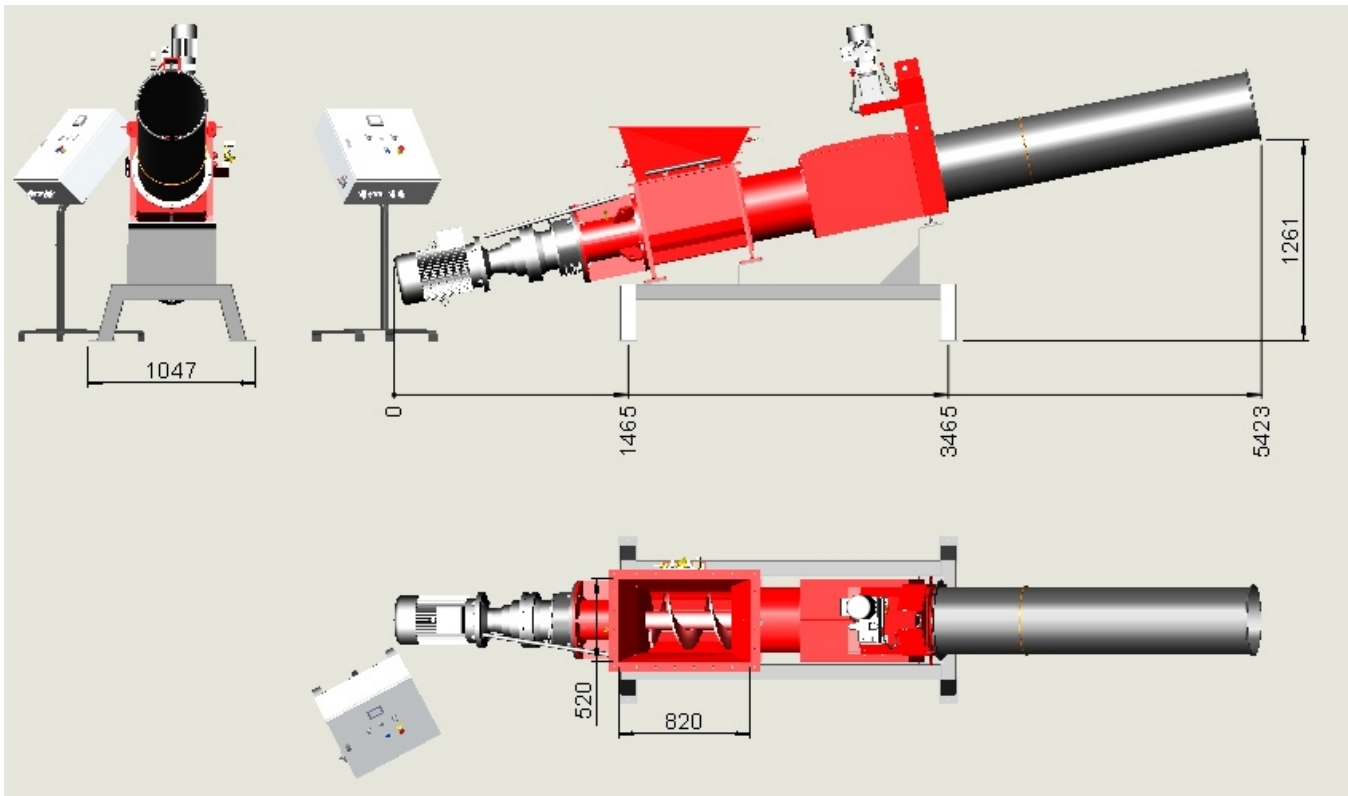
Compacting dust

Technical data specification SK370



Dimensional drawing

Subject to technical modifications.



Technical data	Europe	USA
Material	Dust from waste handling plants	Dust from waste handling plants
Capacity per hour *)	300 kg	600 lbs
Diameter for outlet	370 mm	14 inch
Feed opening dimension (standard)	820 x 520 mm	32 x 20 inch
Weight	1200 kg	2650 lbs
Machine dimension (LxBxH) (standard)	5423 x 1047 x 1261 mm	213 x 41 x 50 inch
Motor power	Main motor: 15 kW Hydraulic pump: 0,55 kW	Main motor: 24 hp (18 kW) Hydraulic pump: 0,9 hp (0,66 kW)
Power supply	3 x 400V, 50Hz, 63A	3 x 230V, 60 Hz, 80A 3 x 480V, 60 Hz, 63A
Marking	CE approved	CE-approved, UL

*) depending on material



Compacting dust



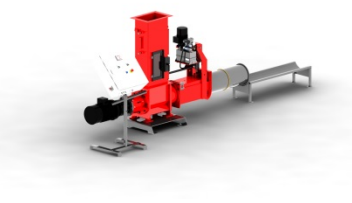
Description

Dust comes in many shapes and from many different sources. E.g. dust from waste handling plant causes problems for the workers and the environment. To eliminate these problems RUNI screw compactor can bind the dust before further treatment. The compactor can work in a continuous flow and receive the dust from a cell lock or a cyclone.



Function

With the screw compactor a continuous process is achieved. RUNI screw compactor is equipped with sensors for automatic start and stop of the machine. The dust is compacted automatically by the screw and the hydraulic jaws in relation to the kW consumption. To bind this kind of dust better the compactor is equipped with a nozzle bracket spraying little water before the dust continues into the screw for compacting.



Benefits

- Reduction of dust problems
- Savings on disposal
- Better working environment
- Safe and easy operation with automatic start and stop.

Option

- Hopper often in stainless steel (AISI304) to avoid rust and possible bridging.
- Remote control.