



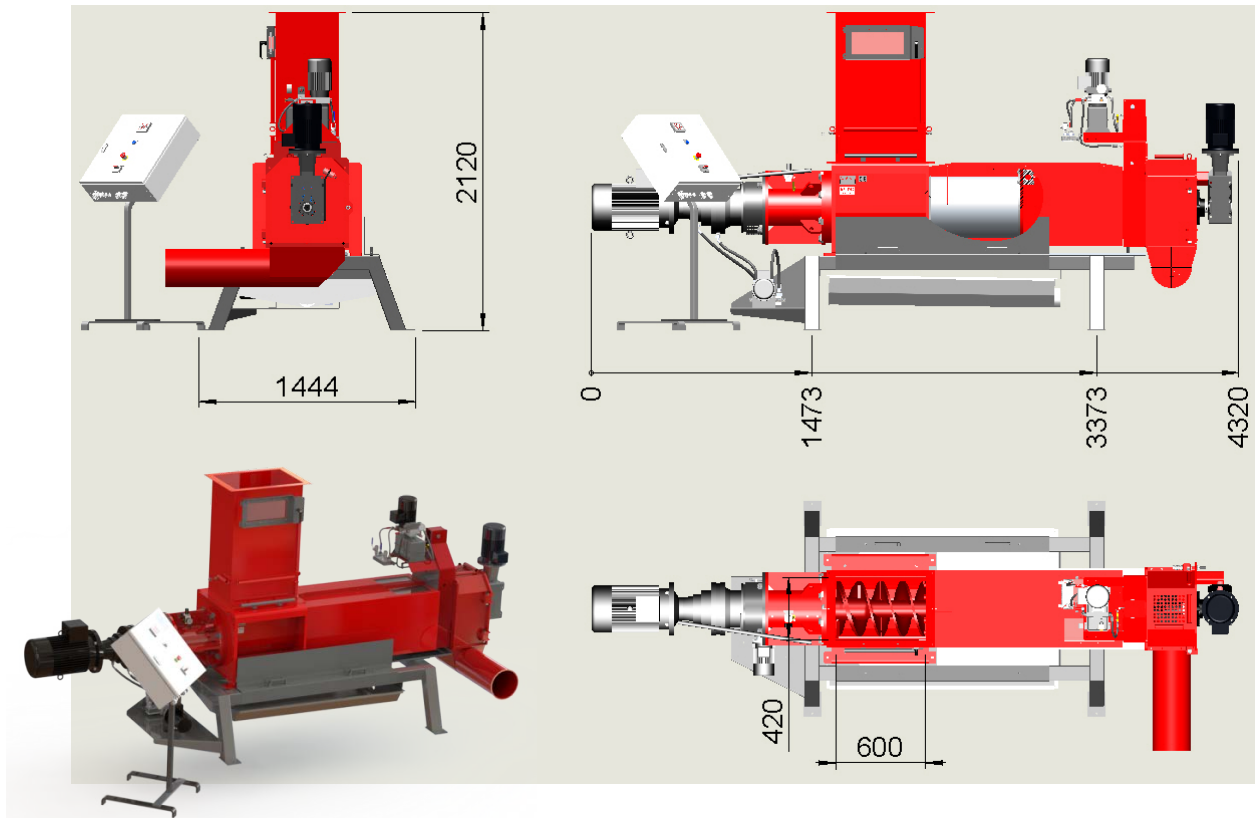
Drying wet PE-film

Technical data specification for SK370



Dimensional drawing

Subject to technical modifications



Technical data	Europe	USA
Material	PE-film	PE-film
Achieved dry matter percent *)	90-95%	90-95%
Capacity per hour *)	800 kg	1750 lbs
Daily capacity *)	20 tonnes	20 ton
Feed-opening dimension, inlet (standard)	600 x 420 mm	24 x 17 inch
Weight	1500 kg	3300 lbs
Machine dimension (LxWxH) (standard)	4275 x 1444 x 2120 mm	168 x 57 x 83 inch
Motor power	Main motor: 15 kW Hydraulic pump: 0,55 kW De-compactor: 4 kW Oil cooling of gear and hydraulic pump: 0,90 kW	De-compactor: 6,8 hp (5 kW) Oil cooling of gear and hydraulic pump: 1,5 hp (1,1 kW)
Power supply	3 x 400V, 50Hz, 63 A	3 x 230V, 60 Hz, 80A 3 x 480V, 60 Hz, 63A
Marking	CE-approved	CE-approved, UL

*) Depending on material combination and thickness.



Drying wet PE-film



Description

During the production of recycled plastic from PE film, the cut-up film is washed thoroughly and then dried. Traditionally, the drying process is carried out using hot air, centrifuging and agglomerating. A considerable amount of this energy-demanding drying can be replaced by pressing the water out of the wet PE-film using RUNI screw compactor SK370. The Dry matter content can be increased from 60 % to 90 % with an energy consumption of only 24 kW per 1.000 kg PE-film.



60%  90%
 Increase of dry matter



Function

Placing the screw compactor after the centrifuge will speed up the process and increase the capacity on the drying line. RUNI SK370 screw compactor is developed to work in an automatic production line, 24/7 with a capacity of approx. 800 kg per hour. A de-compactor unit is optional. It loosens the core of the PE-film after it has been dewatered in the RUNI screw compactor. This can be profitable if the PE-film should be blown further. Sensors ensure automatic start and stop, just as the machine gives information of when to grease the bearings.



Benefits

- Drying PE-film with low energy cost.
- Safe and easy operation with automatic start and stop.

Option

- De-compactor unit for loosening the PE-film.
- Remote control